

Condor F-238

High performance

fishfinding has never been so affordable



The brand new **Condor F-238** raises the bar in terms of its quality-to-price ratio for a compact fishfinder. With its fast new processor and high-sensitivity receiver, this unit boasts performance that has previously been available only with much more expensive fishfinders.

The advanced autorange function of **Condor F-238** frees fishermen of the need to worry about range adjustment. Now you can focus entirely on fishing. All suspended targets, especially fish, are automatically displayed by this unit's sophisticated identification software, and appear on the screen as fish icons, with a digital readout of their depth. The high-tech, very sensitive receiver, with its advanced automatic gain-control system, offers surprisingly good depth performance.

Thanks to its sophisticated identification software, the F-238 identifies any suspended target, such as fishes, showing them on the screen as fish icons, with the digital readout of the depth above them. Experienced users can anyway disable this feature at any time, getting on the screen the actual echo returns, that show on the screen important details such as thermoclines, baitfish and fish movements.



The new software, with its convenient four-tab menu, is as easy to use as the rest of our models, in keeping with our reputation for user-friendly equipment. Each of the four on-screen windows clearly displays the appropriate settings; adjustments can be made with the arrow keys and can be monitored on a horizontal graphic bar. Thus, the intuitive nature of the control system of **Condor F-238** is further enhanced, setting standards never before attained in this class of fishfinders.

Adjustments and settings are permanently stored in the unit's memory, even when the **Condor F-238** is off. Whenever you turn the unit on, you will find the settings from the last session.

The large 4.3" screen provides perfect visibility at any angle and in all lighting conditions - even with polarized sunglasses. The white LED backlighting is fully dimmable, for ideal ease of nighttime viewing.

The transom-mount transducer, included as part of the package, possesses a special hydrodynamic profile and works perfectly at high boating speeds as well. The built-in temp sensor makes it possible to continuously monitor a water-surface temperature readout on the screen.



The compact housing of **Condor F-238** easily fits into any dash board. The flexible mounting bracket allows it to be tilted and swiveled in any direction, while its single jack makes it possible to install and remove the unit quickly and conveniently.



The handy menu system, with its intuitive 4-tab interface, allows users to easily and rapidly access all the advanced functions of F-238.

These menus can be displayed in any of 4 available languages (optional 16 languages version is available).





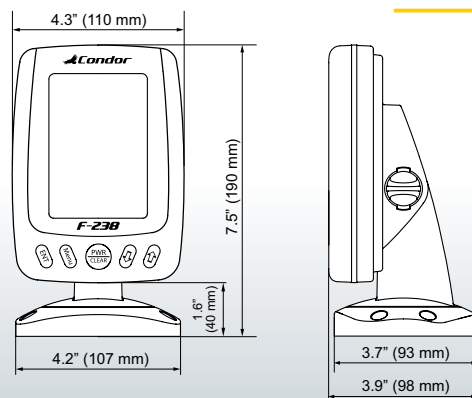
A high-tech fishfinder at an incredible price

A genuine breakthrough
in fishfinder price-to-value ratio

F-238

200 kHz Fishfinder

- Large, high-contrast, 4.3" triple supertwist LCD screen
- High resolution 240 x 128 pixel with 4 levels of gray
- Operation frequency: 200 kHz
- Output power: 1200W (peak, 150W RMS)
- Depth capability of over 490 ft (150 m)*
- Sophisticated fish-recognition software that shows suspended targets, such as fish, on the screen as symbols with a digital depth readout
- Large easy-to-read digital depth, temperature, and voltage readouts
- Automatic range control
- InstanTrack™ shows in a column at right the instantaneous sonar returns in the form of signal-strength indicator bars
- Alarms: shallow water, fish, low battery
- Dual-function gray Shadeline™ bottom display, providing useful information about the nature of the water bottom
- High-intensity, fully dimmable backlighting for night use
- Adjustable chart speed
- Stable memory retains all settings, even when the unit is turned off
- Hydrodynamic transom-mount transducer, with built-in temp probe, 20' cable (6m), suitable for high boating speed
- Coverage angle 20° @ -3dB (90° for fish searching)
- Outstanding depth performance, thanks to the high-sensitivity receiver, capable of revealing even the weakest echo signals from the column of water below the boat
- Single-plug connector, for fast installation and removal
- Compact waterproof housing fits any type of dash, allowing easy mounting in any location
- Tilting and swiveling base is a standard feature, allowing the fisherman to orient the unit at any angle and in any direction
- Menus in 4 selectable languages (optional 16 languages)
- Operating voltage: 12 V
- Dimensions: 7.5" x 4.3" x 3.9" (190 x 110 x 98 mm)



* Normally, fishfinders will show deeper readings in fresh water than in salt water. Actual depth capability depends on:
1) Transducer installation, 2) Plankton, 3) Salinity. In salt water, air bubbles and zooplankton are the two most important factors affecting performance, and can change from day to day. Also rotting plants, producing as much as 2 feet of muck, affects the performance of any fishfinder.